

*i*550
*i*850
*i*950

PARTS CATALOG

REVISION 0

i550

7819A001AA
7819A002AA
7819A003AA
7819A004AA
7819A005AA
7819A006AA
7819A007AA
7819A008AA
7819A009AA
7819A010AA
7819A011AA
7819A013AA
7819A014AA
7819A015AA

i850

7820A001AA
7820A002AA
7820A003AA
7820A004AA
7820A005AA
7820A006AA
7820A007AA
7820A008AA
7820A009AA
7820A010AA
7820A011AA
7820A013AA
7820A014AA
7820A015AA

i950

7822A001AA
7822A002AA
7822A003AA
7822A004AA
7822A005AA
7822A006AA
7822A007AA
7822A008AA
7822A009AA
7822A010AA
7822A011AA
7822A013AA
7822A014AA
7822A015AA

120V(US)
120V(CA)
120V(LAM LVT)
220V-240V(LAM HVT)
220V-240V(EUR)
220V-240V(DE)
220V-240V(FR)
220V-240V(ASA HVT)
220V-240V(AU)
220V-240V(KR)
220V-240V(GB)
120V(TW)
220V-240V(HK)
220V-240V(CHN)

Canon

AUG. 2002

QY8-31BH-000

0802 GR 0.00-0

Application

This manual has been issued by Canon Inc. for qualified person to learn technical theory, installation, maintenance, and repair of products. This manual covers all localities where the products are sold. For this reason, there may be information in this manual that does not apply to your locality.

Corrections

This manual could include technical inaccuracies or typographical errors due to improvements or changes in the products. When changes occur in applicable products or in the content of this manual, Canon will release technical information as the need arises. In the event of major changes in the contents of this manual over a long or short period. Canon will issue a new editions of this manual.

The following paragraph does not apply to any countries where such provisions are inconsistent with local law.

Trademarks

The product names and company names described in this manual are the registered trademarks of the individual companies.

Copyright

This manual is copyrighted with all rights reserved. Under the copyright laws, this manual may not be copied, reproduced or translated into another language, in whole or in part, without the written consent of Canon Inc.

Copyright © 2002 by Canon Inc.

CANON INC.

i Printer Technical Support Dept.11,21

16-1, Shimonoge 3-chome, Takatsu-ku, Kawasaki-shi,
Kanagawa 213-8512, Japan

DTP System

This manual was produced on an Apple® Power Macintosh® G3 personal computer and Canon LBP-2030PS laser beam printer, final pages were printed on Valityper® 4300J.

Parts layout pictures were taken using Canon Digital Camera EOS D30, and edited with Adobe® Photoshop® 5.0.

KEY No. and Logotypes were created using MACROME-DIA® FreeHand® 8J.

Documents and page layouts were created using QuarkXpress® 3.3J.

Parts lists were created using Helix Technologies® Herix Xpress® and converted to EPS files.

I. CONTENTS

- A. PARTS LAYOUT & PARTS LIST
- B. SCREWS & WASHERS LIST
- C. NUMERICAL INDEX

II. ABOUT THIS MANUAL

A. PARTS LAYOUT & PARTS LIST

Parts layout illustration

a) Parts search

Find a part from the parts layout illustration and find its key number from the parts list to identify the part number and name. For screws, nuts, washers, lock washers, pins, spacers, see **SCREWS & WASHERS LIST**.

Note: If parts have the same or similar shape but different specifications, their key number is assigned to several part numbers and names in the parts list.

b) Parts replacement procedure

To replace parts, the parts layout illustrations have figure numbers according to the disassembly procedure of the product. The parts that require careful work are shown the illustration.

Parts list

a) FIGURE & KEY No.

The **FIGURE & KEY No.** column corresponds to the key numbers assigned to the parts in the parts layout illustration.

It also corresponds to the part locations printed on the PC board.

b) PART NUMBER

The **PART NUMBER** column gives the part numbers corresponding to the key numbers. To order a part, indicate the part number clearly.

Note: Parts marked **NPN** are not service parts.

c) RANK

The service parts with **N** in the **RANK** column are order parts.

d) QTY

The **QTY** column gives the number of parts in the corresponding components layout illustration.

e) DESCRIPTION

The **DESCRIPTION** column gives the part names in English.

To order a part, indicate the part name, too.

Options & Consumables

These are illustrations and a list of units that can be used as optional consumable equipments.

Tool List

This is a list of tools used for servicing products.

B. SCREWS & WASHERS LIST

This is a list of screws, nuts, washers, lock washers, pins, and spacers.

The **QTY** column does not give the number of parts used.

C. NUMERICAL INDEX

All the parts listed in this parts catalog are arranged in order of part number.

You can identify part locations and names from the **NUMERICAL INDEX**.

A. PARTS LAYOUT & PARTS LIST

FIGURE 1 PRINTER & PRINT HEAD



FIGURE 2 COVER

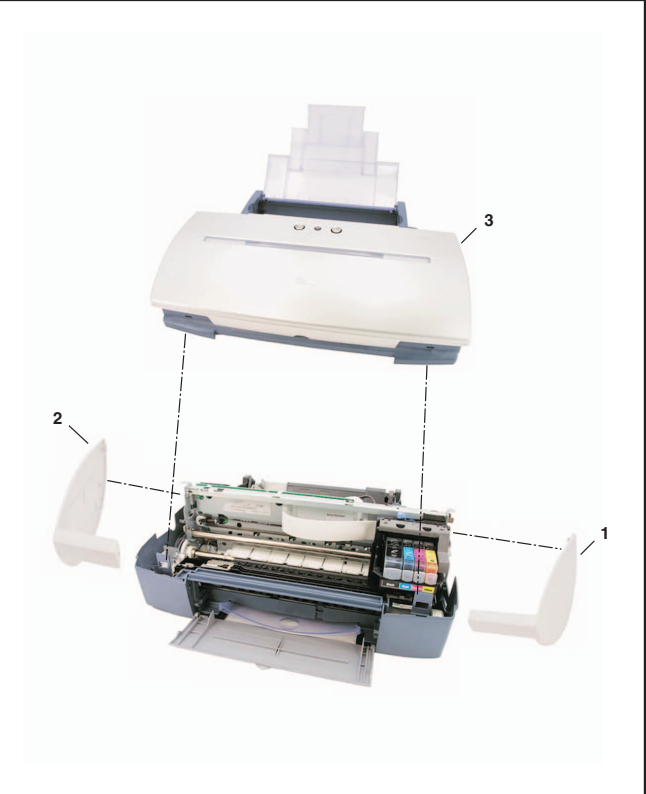


FIGURE 3 AC ADAPTER

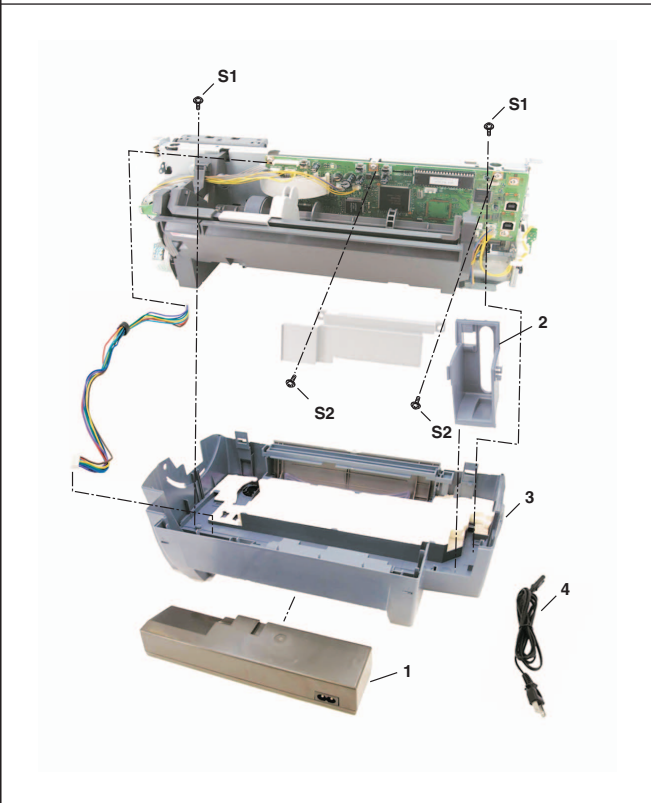


FIGURE 4 WASTE INK ABSORBER

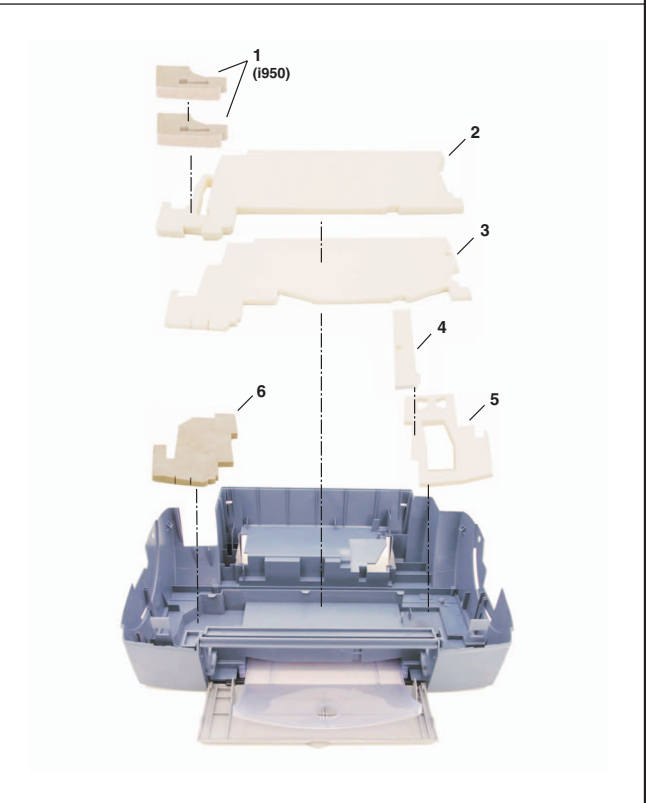


FIGURE & KEY NO.	PART NUMBER	RANK	QTY	DESCRIPTION	REMARKS
1 - 1	QY6-0042-000		1	PRINT HEAD	FOR i850
	QY6-0043-000		1	PRINT HEAD	FOR i950
	QY6-0045-000		1	PRINT HEAD	FOR i550
2 - 1	QA4-1143-000		1	COVER, SIDE(R)	
	QA4-1142-000		1	COVER, SIDE(L)	
3 - 1	QG4-0268-000		1	UPPER COVER UNIT	FOR i550
	QG4-0284-000		1	UPPER COVER UNIT	FOR i850
	QG4-0320-000		1	UPPER COVER UNIT	FOR i950
	QH3-3583-000		1	AC ADAPTER: 100V-120V 50/60HZ	FOR i950
	QH3-3584-000		1	AC ADAPTER: 220V-240V 50/60HZ	FOR i950
2	QH3-3590-000		1	AC ADAPTER: 100V-120V 50/60HZ	FOR i550
	QH3-3591-000		1	AC ADAPTER: 220V-240V 50/60HZ	FOR i550
	QH3-3600-000		1	AC ADAPTER: 100V-120V 50/60HZ	FOR i850
	QH3-3603-000		1	AC ADAPTER: 220V-240V 50/60HZ	FOR i850
	QA4-1130-000		1	COVER, I/F	FOR i550, i850
3	QA4-1314-000		1	COVER, I/F	FOR i950
	QG4-0266-000		1	BOTTOM CASE UNIT	FOR i550
	QG4-0299-000		1	BOTTOM CASE UNIT	FOR i850
4	QG4-0316-000		1	BOTTOM CASE UNIT	FOR i950
	WT3-5131-000		1	CORD, POWER	100V-120V
	WT3-5132-000		1	CORD, POWER	220V-240V
	WT3-5133-000		1	CORD, POWER	220V-240V(AUST)
	WT3-5135-000		1	CORD, POWER	250V(CHN)
	WT3-5137-000		1	CORD, POWER	220V-240V(UK,HK)
	WT3-5158-000		1	CORD, POWER	120V(LAM-LV)
4 - 1	WT3-5159-000		1	CORD, POWER	250V(KR)
	QA4-1205-000		2	ABSORBER, INK	FOR i950
	QA4-1012-000		1	ABSORBER, INK	
	QA4-1055-000		1	ABSORBER, INK	
5	QA4-1013-000		1	ABSORBER, INK	
	QA4-1014-000		1	ABSORBER, INK	

FIGURE 5 LOGIC BOARD & ASF UNIT

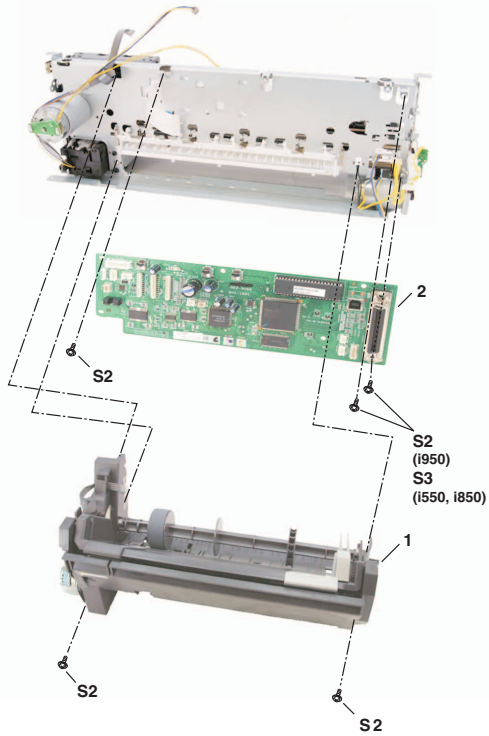


FIGURE 6 PURGE UNIT

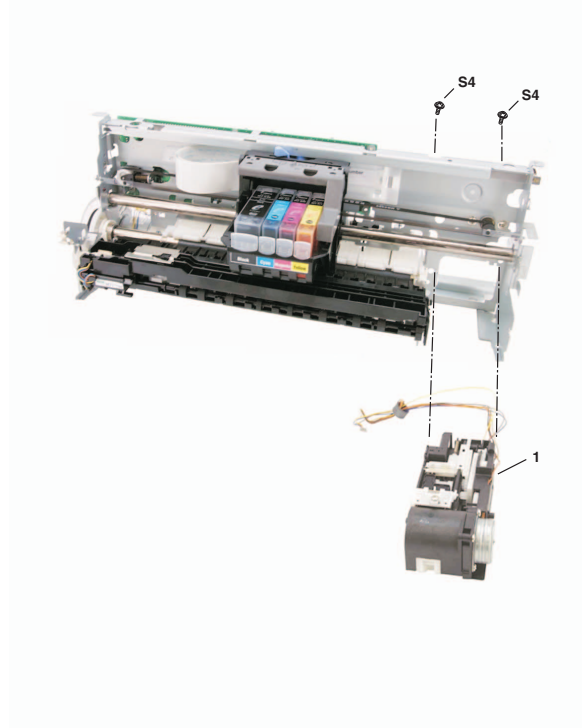


FIGURE 7 CARRIAGE UNIT

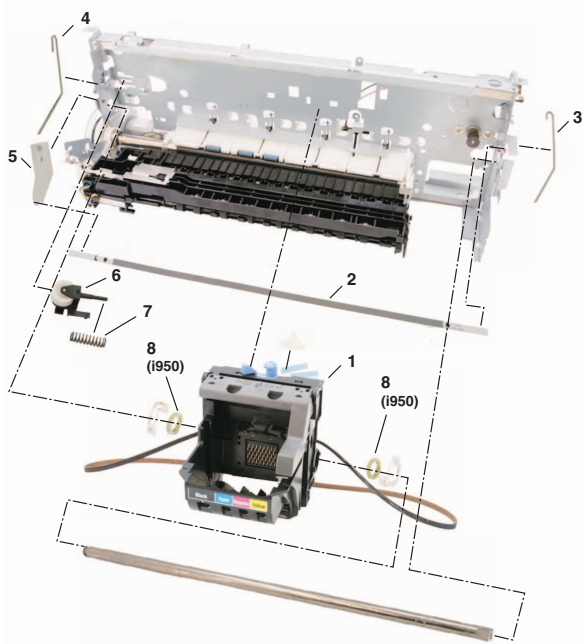


FIGURE 8 PRESSURE ROLLER ASS'Y

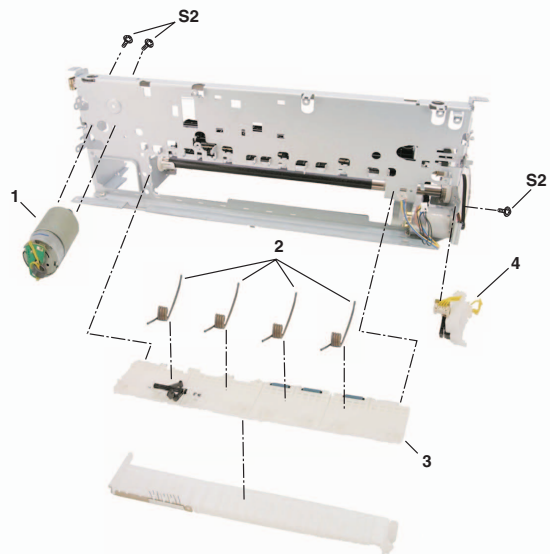


FIGURE & KEY NO.	PART NUMBER	RANK	QTY	DESCRIPTION	REMARKS
5 - 1 2	QG4-0264-000		1	SHEET FEEDER UNIT	FOR i550, i950
	QG4-0274-000		1	SHEET FEEDER UNIT	FOR i850
	QG2-3442-000		1	LOGIC BOARD ASS'Y	FOR i950
	QG2-3452-000		1	LOGIC BOARD ASS'Y	FOR i550
	QG2-3468-000		1	LOGIC BOARD ASS'Y	FOR i850
6 - 1	QG4-0279-000		1	PURGE UNIT	FOR i550, i850
	QG4-0303-000		1	PURGE UNIT	FOR i950
7 - 1	QG4-0262-000		1	CARRIAGE UNIT	FOR i550
	QG4-0285-000		1	CARRIAGE UNIT	FOR i850
	QG4-0314-000		1	CARRIAGE UNIT	FOR i950
2 3 4 5	QA4-1053-000		1	FILM, TIMING SLIT STRIP	FOR i550, i850
	QA4-1201-000		1	FILM, TIMING SLIT STRIP	FOR i950
	QA4-1002-000		1	CLIP, SHAFT	
	QA4-1001-000		1	CLIP, SHAFT	
	QA4-0990-000		1	SPRING, LEAF	
6 7 8 8 - 1 2	QF4-0153-000		1	IDLER ROLLER ASS'Y	
	QS4-2112-000		1	SPRING, COIL	
	QA4-0721-000		2	PAD, GREASE	FOR i950
	QH4-4466-000		1	MOTOR, CARRIAGE	
	QA4-1168-000		4	SPRING, TORSION	
3 4	QG4-0276-000		1	PRESSURE ROLLER ASS'Y	
	QG4-0277-000		1	TIMING SENSOR UNIT	

FIGURE 9 PAPER FEED UNIT

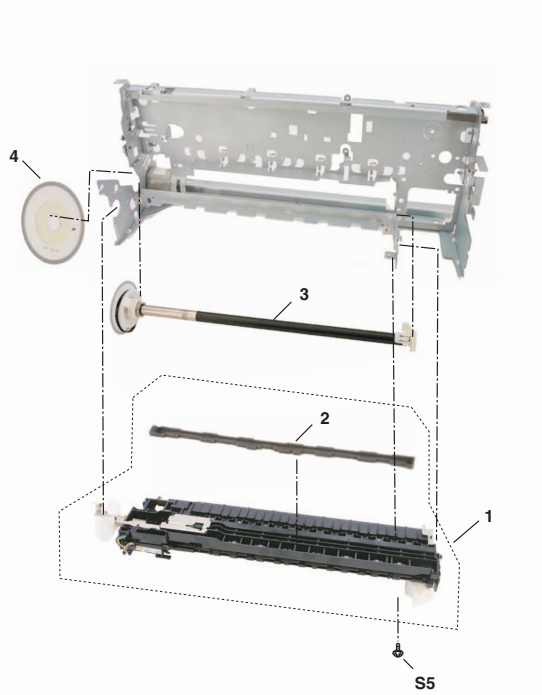


FIGURE 10 OPTION & CONSUMABLES

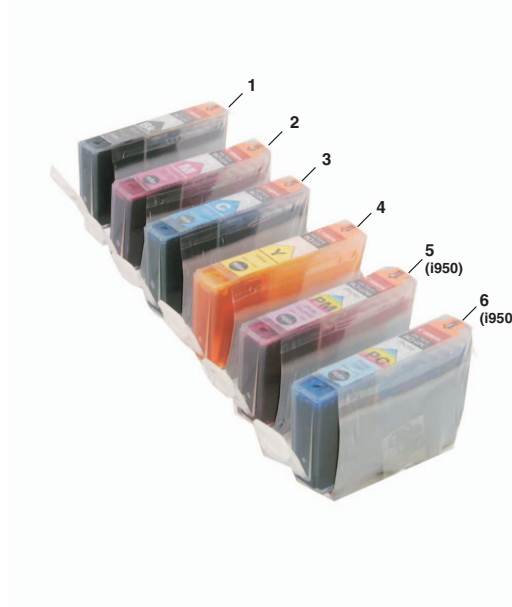


FIGURE 11 TOOL

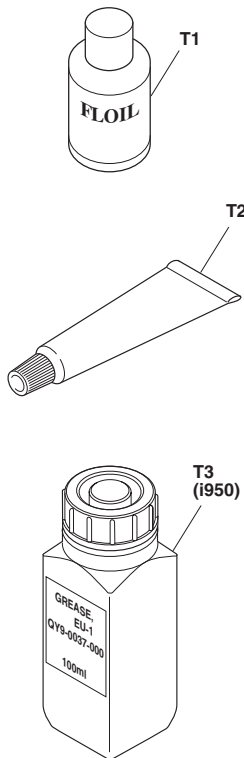


FIGURE & KEY NO.	PART NUMBER	RANK	QTY	DESCRIPTION	REMARKS
9 1	QG4-0267-000		1	PLATEN UNIT	FOR i550
	QG4-0293-000		1	PLATEN UNIT	FOR i850
	QG4-0311-000		1	PLATEN UNIT	FOR i950
2	QA4-1066-000		1	ABSORBER, INK	FOR i550, i850
	QA4-1194-000		1	ABSORBER, INK	FOR i950
3	QF4-0155-000	N	1	FEED ROLLER ASS'Y	FOR i550, i850
	QF4-0173-000	N	1	FEED ROLLER ASS'Y	FOR i950
4	QA4-1170-000		1	FILM, TIMING SLIT DISK	
10 1	NPN		1	BLACK INK TANK BCI-3eBK	CONSUMABLES
	NPN		1	BLACK INK TANK BCI-6BK	CONSUMABLES
2	NPN		1	MAGENTA INK TANK BCI-3eM	CONSUMABLES
	NPN		1	MAGENTA INK TANK BCI-6M	CONSUMABLES
3	NPN		1	CYAN INK TANK BCI-3eC	CONSUMABLES
	NPN		1	CYAN INK TANK BCI-6C	CONSUMABLES
4	NPN		1	YELLOW INK TANK BCI-3eY	CONSUMABLES
	NPN		1	YELLOW INK TANK BCI-6Y	CONSUMABLES
5	NPN		1	PHOTO CYAN INK TANK BCI-6PC	CONSUMABLES
6	NPN		1	PHOTO MAGENTA INK TANK BCI-6PM	CONSUMABLES
T 1	QY9-0057-000		1	LUBE, FLOIL KG107A, OIL	
2	CK-0562-000		1	GREASE, MOLYKOTE PG-641	
3	QY9-0037-000		1	GREASE EU-1	

This page intentionally left blank

C.

NUMERICAL INDEX

PART NUMBER	FIGURE & KEY NO.	DESCRIPTION	PART NUMBER	FIGURE & KEY NO.	DESCRIPTION
CK-0562-000	T- 2	GREASE, MOLYKOTE PG-641	WT3-5131-000	3- 4	CORD, POWER
QA4-0721-000	7- 8	PAD, GREASE	WT3-5132-000	3- 4	CORD, POWER
QA4-0990-000	7- 5	SPRING, LEAF	WT3-5133-000	3- 4	CORD, POWER
QA4-1001-000	7- 4	CLIP, SHAFT	WT3-5135-000	3- 4	CORD, POWER
QA4-1002-000	7- 3	CLIP, SHAFT	WT3-5137-000	3- 4	CORD, POWER
QA4-1012-000	4- 2	ABSORBER, INK	WT3-5158-000	3- 4	CORD, POWER
QA4-1013-000	4- 5	ABSORBER, INK	WT3-5159-000	3- 4	CORD, POWER
QA4-1014-000	4- 6	ABSORBER, INK	XA9-1335-000	S- 1	SCREW, TP, M3X12
QA4-1015-000	4- 4	ABSORBER, INK	XB1-2301-207	S- 3	SCREW, M3x12
QA4-1053-000	7- 2	FILM, TIMING SLIT STRIP	XB2-4300-607	S- 5	SCREW, MACHINE, W/WASHER, M3X6
QA4-1055-000	4- 3	ABSORBER, INK	XB4-7300-807	S- 4	SCREW,TAP TIGHT,BINDING HEAD,M3x8
QA4-1066-000	9- 2	ABSORBER, INK	XB6-7300-607	S- 2	
QA4-1130-000	3- 2	COVER, I/F			
QA4-1142-000	2- 2	COVER, SIDE(L)			
QA4-1143-000	2- 1	COVER, SIDE(R)			
QA4-1168-000	8- 2	SPRING, TORSION			
QA4-1170-000	9- 4	FILM, TIMING SLIT DISK			
QA4-1194-000	9- 2	ABSORBER, INK			
QA4-1201-000	7- 2	FILM, TIMING SLIT STRIP			
QA4-1205-000	4- 1	ABSORBER, INK			
QA4-1314-000	3- 2	COVER, I/F			
QF4-0153-000	7- 6	IDLER ROLLER ASS'Y			
QF4-0155-000	9- 3	FEED ROLLER ASS'Y			
QF4-0173-000	9- 3	FEED ROLLER ASS'Y			
QG2-3442-000	5- 2	LOGIC BOARD ASS'Y			
QG2-3452-000	5- 2	LOGIC BOARD ASS'Y			
QG2-3468-000	5- 2	LOGIC BOARD ASS'Y			
QG4-0262-000	7- 1	CARRIAGE UNIT			
QG4-0264-000	5- 1	SHEET FEEDER UNIT			
QG4-0266-000	3- 3	BOTTOM CASE UNIT			
QG4-0267-000	9- 1	PLATEN UNIT			
QG4-0268-000	2- 3	UPPER COVER UNIT			
QG4-0274-000	5- 1	SHEET FEEDER UNIT			
QG4-0276-000	8- 3	PRESSURE ROLLER ASS'Y			
QG4-0277-000	8- 4	TIMING SENSOR UNIT			
QG4-0279-000	6- 1	PURGE UNIT			
QG4-0284-000	2- 3	UPPER COVER UNIT			
QG4-0285-000	7- 1	CARRIAGE UNIT			
QG4-0293-000	9- 1	PLATEN UNIT			
QG4-0299-000	3- 3	BOTTOM CASE UNIT			
QG4-0303-000	6- 1	PURGE UNIT			
QG4-0311-000	9- 1	PLATEN UNIT			
QG4-0314-000	7- 1	CARRIAGE UNIT			
QG4-0316-000	3- 3	BOTTOM CASE UNIT			
QG4-0320-000	2- 3	UPPER COVER UNIT			
QH3-3583-000	3- 1	AC ADAPTER: 100V-120V 50/60HZ			
QH3-3584-000	3- 1	AC ADAPTER: 220V-240V 50/60HZ			
QH3-3590-000	3- 1	AC ADAPTER: 100V-120V 50/60HZ			
QH3-3591-000	3- 1	AC ADAPTER: 220V-240V 50/60HZ			
QH3-3600-000	3- 1	AC ADAPTER: 100V-120V 50/60HZ			
QH3-3603-000	3- 1	AC ADAPTER: 220V-240V 50/60HZ			
QH4-4466-000	8- 1	MOTOR, CARRIAGE			
QS4-2112-000	7- 7	SPRING, COIL			
QY6-0042-000	1- 1	PRINT HEAD			
QY6-0043-000	1- 1	PRINT HEAD			
QY6-0045-000	1- 1	PRINT HEAD			
QY9-0037-000	T- 3	GREASE EU-1			
QY9-0057-000	T- 1				

Canon